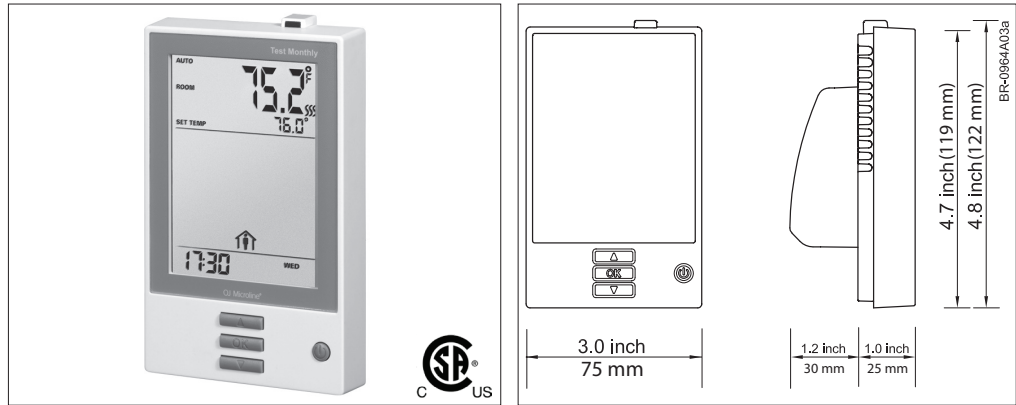




General Information



Developed for the modern home, the LX programmable thermostat offers maximum comfort and a stylish design. The installation design of the thermostat has been carefully thought through ensuring quick and easy installation.

- Large backlit display for easy programming
- Simple to program with intuitive on-screen menus
- Pre-programmed for quick setup
- Monitored energy consumption
- Four-event seven-day ENERGY SAVING programming
- Dual voltage: 120V or 240V
- Output relay: 15A
- Class A GFCI for maximum safety
- Easily upgrade older model LX thermostats

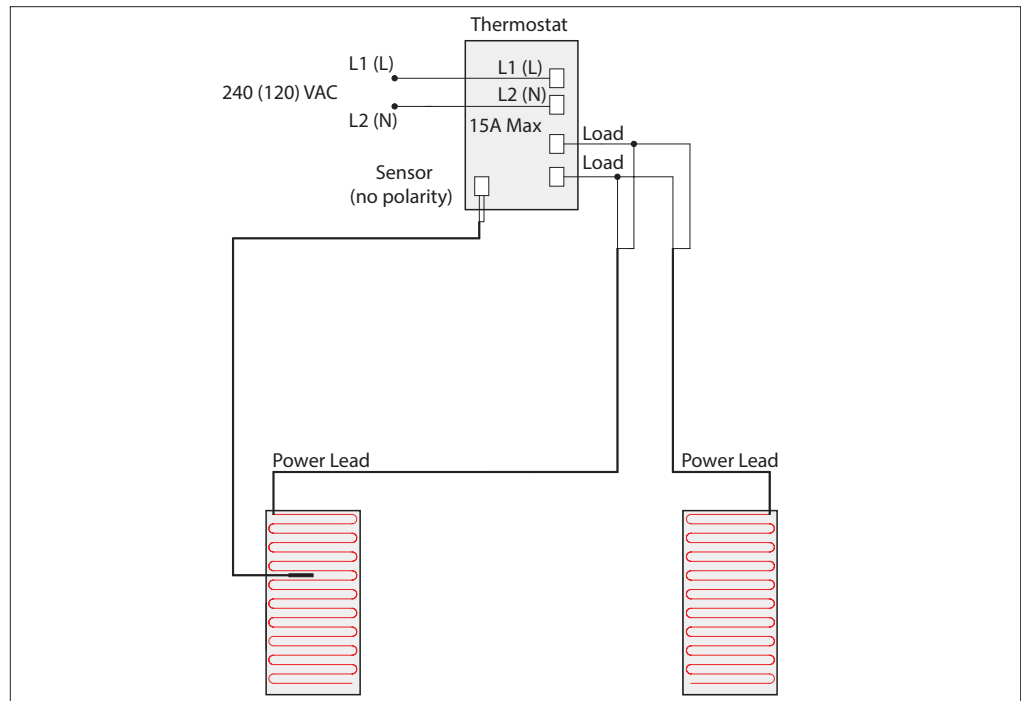
c-UL-us according to the following standards:
 Thermostat: UL 873
 CSA C22.2 No. 24
UL-E file: E157297
 GFCI: UL 943
 CSA C22.2, No. 144. 1-06

Technical Data

Supply:	120/240 VAC, 50/60 Hz
Max. Load:	15A maximum (resistive load)
Power:	1800W at 120 VAC / 3600 at 240 VAC
GFCI:	Class A (5 mA trip level)
Temperature Range:	41°F to 104°F (5°C to 40°C)
Floor Limit Range:	41°F to 104°F (5°C to 40°C)
Ambient Temp. Range:	32°F to 104°F (0°C to 40°C)
Clock Function:	4-event program
On/Off Differential:	0.7°F (0.4°C)
Regulation Principle:	PWM / PI
Housing:	NEMA 2 (IP21)
Floor Sensor Type:	NTC (12 KΩ) 10 ft. (3 m)
Dimensions (HxWxD):	4.8" x 3.0" x 1.0" (123mm x 75mm x 25mm)



Typical Application



Ordering Information

Part No.	Description
088L5130	LX Programmable Thermostat with Floor Sensor

Applications

Products in this data sheet are for use with these Danfoss mats and cables:

Danfoss Electric Heating Products
LX Electric Floor Heating Mats and Cables
TX-FH Floor Heating Cables
TX-SH Storage Heating Cables

Accessories

Part No.	Description
088L5135	Power Module with GFCI
088L3450	Single Contactor, 600V Max (120V Coil Voltage)
088L3451	Single Contactor, 600V Max (208V-240V Coil Voltage)

Warranty

Danfoss offers a two year limited warranty covering defects in workmanship and materials.

Technical Services

For technical questions, please contact Danfoss Heating Division North America at **1-888-448-0555**. More information on Danfoss Electric Heating products is available at **www.DanfossRadiant.com**.

Danfoss can accept no responsibility for possible errors in catalogs, brochures, other printed materials, and website information. Danfoss reserves the right to alter its products without notice. This also applies to products already on order provided that such alteration can be made without subsequent changes being necessary in already agreed upon. All trademarks in this material are property of the respective companies. Danfoss and Danfoss logotype are trademarks of Danfoss A/S. All rights reserved.



Comfort Radiant Heating LLC

Tel: 1-518-373-5700
 info@danfossradiant.com
 www.DanfossRadiant.com