



Datasheet

GX Contactor Panel

For snow and ice melting applications

General Information



The Danfoss Contactor Panel is primarily designed for snow and ice melting applications. NEC and local codes requirements. The panel can be activated by a Danfoss GX850, DS-2C, DS-5C, DS-8C or another type of controller.

- Low cost
- Simple installation
- NEMA 1, UL listed enclosure
- A LED heat on indicator
- Pre-wired terminal connections
- 120V on/off remote heat indication
- Four hour timer

Technical Data

Power Voltage Range:	208V - 600V
Max. Heating Load:	100A/200A
Control Voltage:	120V
Enclosure Type:	NEMA 1
Mounting:	Wall mounted, indoors
Dimensions: (HxWxD):	12" x 10" x 5"
Timer Override:	4 Hours (Optional 12hr)

Ordering Information

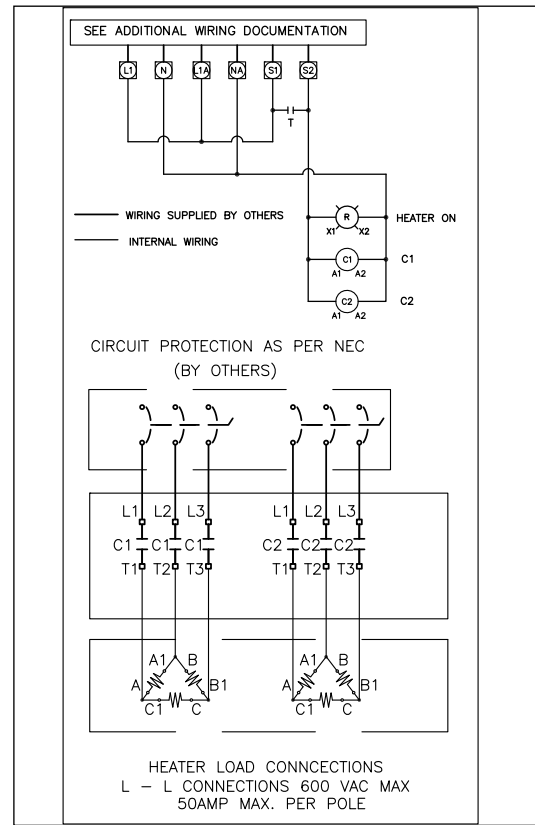
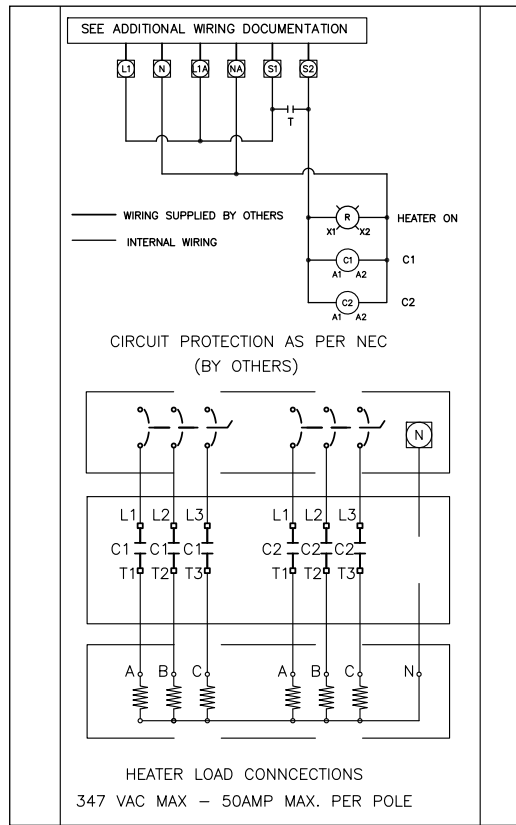
Part No.	Description	No. of Contactors
088L3436	GX 100A Panel Enclosure 4hr timer, 2-3P CS	2
088L3437	GX 200A Panel Enclosure 4hr timer, 4-3P CS	4



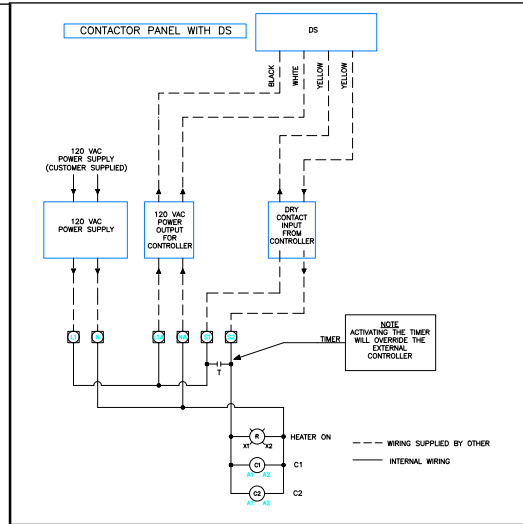
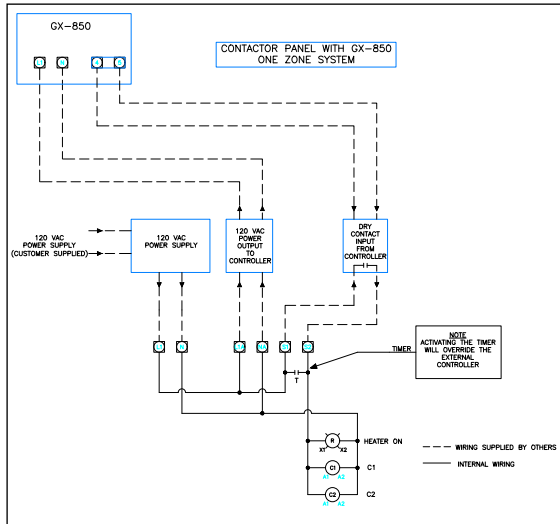
GX Contactor Panel

Typical Wiring Diagrams

Left: Simplified single phase connected heating cables.
Right: Simplified three phase connected heating cables.



Typical Installation Diagrams



Warranty

Danfoss offers a two year limited warranty covering defects in workmanship and materials.

Technical Services

For technical questions, please contact Comfort Radiant at (888)448-0555. More information on Danfoss Electric Heating products is available at www.DanfossRadiant.com.

Danfoss can accept no responsibility for possible errors in catalogs, brochures, other printed materials, and website information. Danfoss reserves the right to alter its products without notice. This also applies to products already on order provided that such alteration can be made without subsequent changes being necessary in specifications already agreed upon. All trademarks in this material are property of the respective companies. Danfoss and Danfoss logotype are trademarks of Danfoss A/S. All rights reserved.